

# **H** PARTS LIST

## HT300T TOP MOUNT

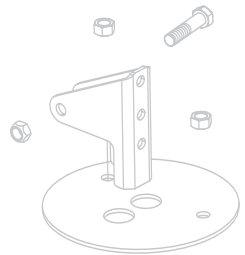
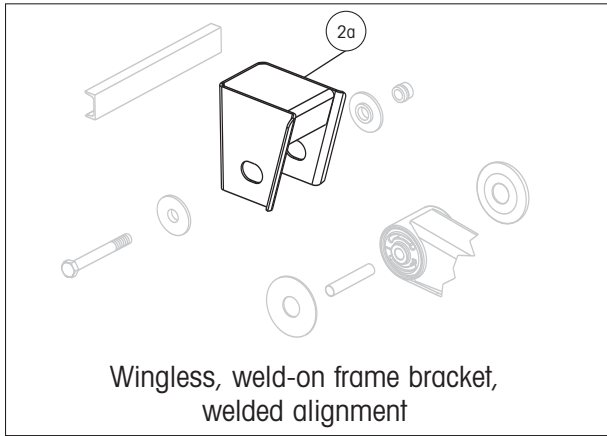
LIT NO: L939

DATE: June 2008

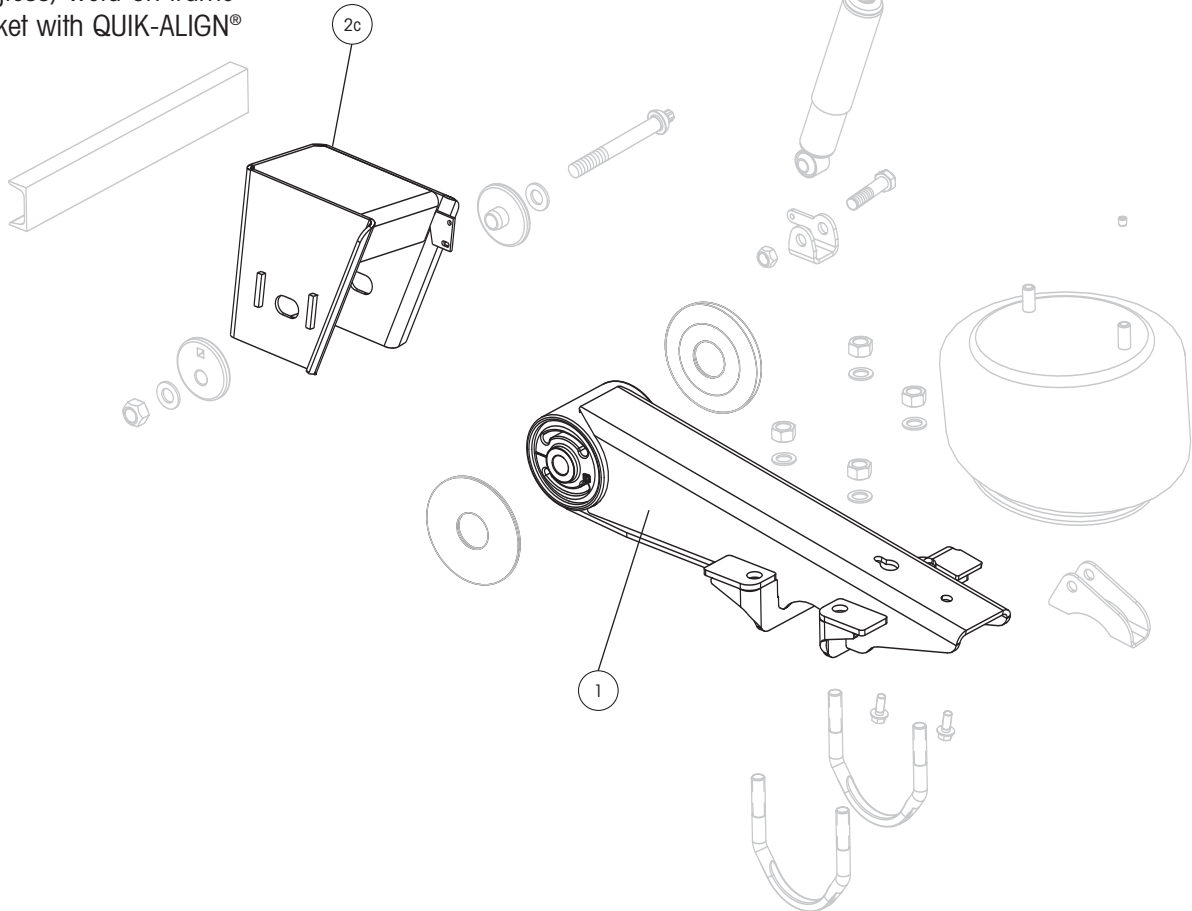
REVISION: A

---





Wingless, weld-on frame  
bracket with QUIK-ALIGN®





# HT300T TOP MOUNT PARTS LIST

ITEM	DESCRIPTION	PART NO.	QTY. PER SUSP.	FITS MODELS		
				HT300 ?	OR N-HT300 ?	
<b>1</b>	<b>BEAM ASSEMBLY<sup>1</sup></b>					
	Roadside	S-20186-1	1	All models		
	Curbside	S-20186-2	1	All models		
<b>2</b>	<b>FRAME BRACKET</b>					
<b>2a</b>	<b>Wingless, Weld-on, Welded Alignment</b>					
	Roadside	S-20196-1	1	-15-001	-15-005	-15-007
	Curbside	S-20196-2	1	-15-017	-15-024	-15-501
				-15-518	-15-701	
	Roadside	S-20197-1	1	-17-001	-17-005	-17-007
	Curbside	S-20197-2	1	-17-024	-17-501	-17-518
				-17-701		
	Roadside	S-20286-1	1	-15-016		
	Curbside	S-20286-2	1			
	Roadside	S-20065-1	1	-17-003	-17-012	-17-019
	Curbside	S-20065-2	1	-17-503	-17-520	
	Roadside	C-21123-1	1	-17-025		
	Curbside	C-21123-2	1			
	Roadside	S-14190-1	1	-19-001		
	Curbside	S-14190-2	1			
	Roadside	S-21454-1	1	-21-003		
	Curbside	S-21454-2	1			
	Roadside	S-21150-1	1	-23-001		
	Curbside	S-21150-2	1			
	Roadside	S-21122-1	1	-15-021	-15-025	
	Curbside	S-21122-2				
<b>2b</b>	<b>Wingless, Bolt-on, QUIK-ALIGN® (Not Shown)</b>					
	Roadside	S-23512-1	1	TB17-022		
	Curbside	S-23512-2	1			
<b>2c</b>	<b>Wingless, Weld-on, QUIK-ALIGN</b>					
	Roadside	S-23790-1	1	TB15-001	TB15-023	TB15-024
	Curbside	S-23790-2	1	TB15-027	TB15-518	
	Roadside	S-24635-1	1	TB17-001	TB17-024	
	Curbside	S-24635-2	1			
	Roadside	S-23461-1	1	TB19-007	TB19-020	
	Curbside	S-23461-2	1			
	Roadside	C-23797-1	1	TB15-016		
	Curbside	C-23797-2	1			
	Roadside	S-21592-1	1	TB16-026	TB17-003	
	Curbside	S-21592-2	1			
<b>2d</b>	<b>Wingless, Bolt-on, Welded Alignment (Not Shown)</b>					
	Roadside	S-22073-1	1	-23-002		
	Curbside	S-22073-2	1			
	Roadside	S-22281-1	1	-17-022		
	Curbside	S-22281-2	1			
	Roadside	S-20008-1	1	-17-004		
	Curbside	S-20008-2	1			
<b>2e</b>	<b>Wingless, Bolt-on, QUIK-ALIGN (Not Shown)</b>					
	Roadside	S-24220-1	1	TC15-060		
	Curbside	S-24220-2	1			
	Roadside	S-24226-1	1	TC15-061		
	Curbside	S-24226-2	1			
	Roadside	S-24222-1	1	TC17-060		
	Curbside	S-24222-2	1			

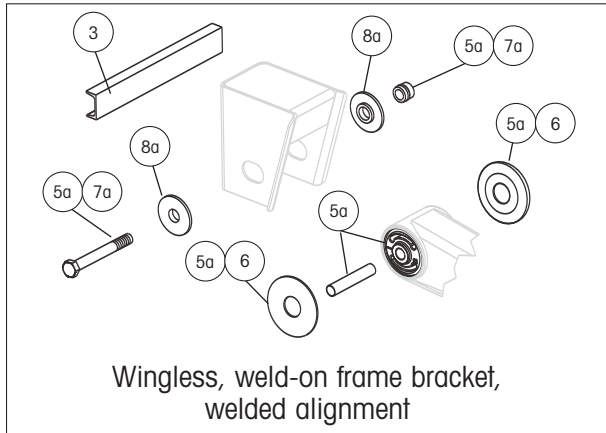
<sup>1</sup> Lower shock clevis (item # 13) is included with beam assembly.

NOTE: Identification tag can be found on the front of the curbside frame bracket or the inside of the curbside beam.

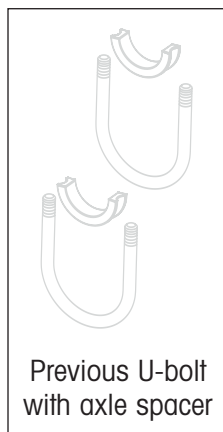
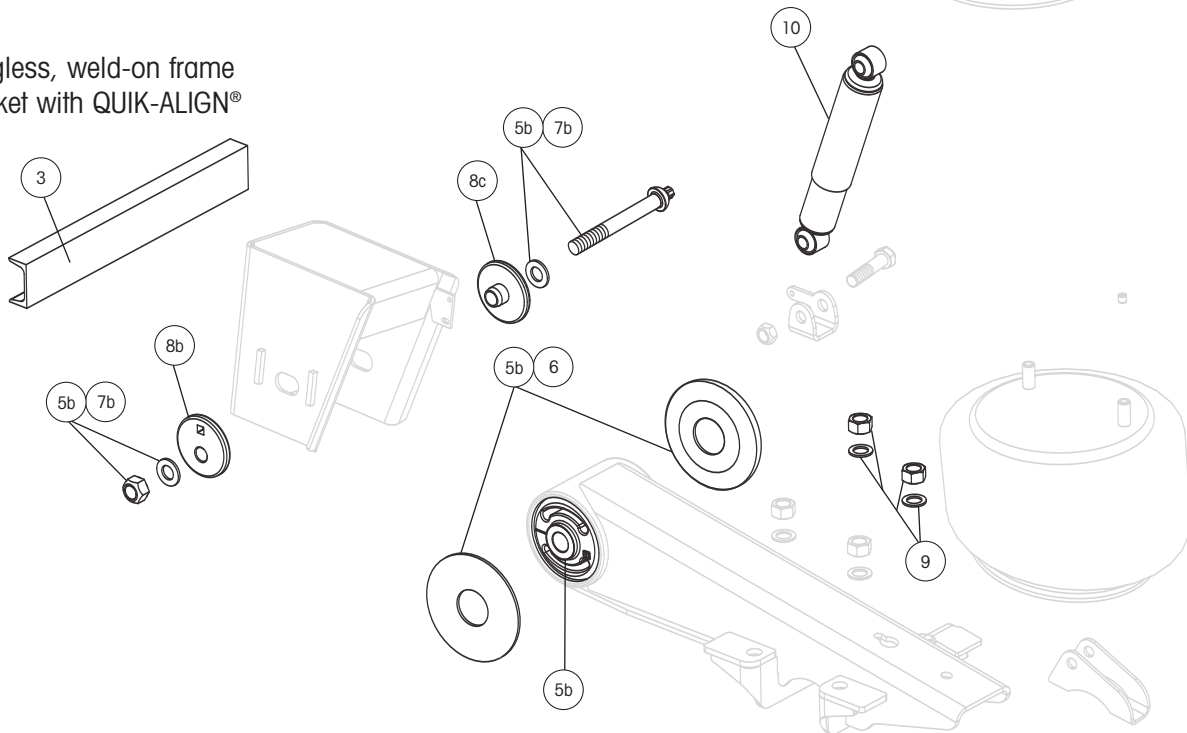
# HT300T TOP MOUNT PARTS LIST



Picture shown may not resemble all models.



Wingless, weld-on frame  
bracket with QUIK-ALIGN®





# HT300T TOP MOUNT PARTS LIST

ITEM	DESCRIPTION	PART NO.	QTY. PER SUSP.	FITS MODELS HT300 ? OR N-HT300 ?		
<b>2</b>	<b>FRAME BRACKET</b> (Continued)					
	<b>2e Wingless, Bolt-on, QUIK-ALIGN®</b> (Not Shown)					
	Roadside	S-24228-1	1	TC17-061		
	Curbside	S-24228-2	1			
	Roadside	S-24181-1	1	TC19-060	TC19-062	
	Curbside	S-24181-2	1			
	Roadside	S-24251-1	1	TC19-061	TC19-063	
	Curbside	S-24251-2	1			
	<b>2f Winged, Bolt-on, QUIK-ALIGN</b>					
	Roadside	S-25461-1	1	TA15-070		
	Curbside	S-25461-2	1			
	Roadside	S-25618-1	1	TA15-036		
	Curbside	S-25618-2				
	Roadside	S-25462-1	1	TA17-070		
	Curbside	S-25462-2	1			
<b>3</b>	<b>FRAME BRACKET C-CHANNEL</b>	A-1631-19	1	All models		
<b>4</b>	<b>FRAME BRACKET BRACE</b> (Not Shown)	B-2347-6	2	-21-003	-23-001	
<b>5</b>	<b>TRI-FUNCTIONAL® II BUSHING KIT<sup>2</sup></b>					
	<b>5a Welded Alignment</b>	S-6914	2	Includes bushing, bushing tube spacers, cap screw, prevailing torque hex nut, liner and lube		
	<b>5b QUIK-ALIGN</b>	S-24691	2	Includes bushing, bushing tube spacers, round head bolt, prevailing torque hex nut, hardened washers and lube		
<b>6</b>	<b>BUSHING TUBE SPACER</b>	S-21099	4	All models		
<b>7</b>	<b>PIVOT BOLT KIT</b>					
	<b>7a Welded Alignment</b>	S-3646	2	Includes cap screw, prevailing torque hex nut and liner		
	<b>7b QUIK-ALIGN</b>	S-24679	2	Includes round head bolt, hardened washers and prevailing torque hex nut		
<b>8</b>	<b>ALIGNMENT COLLARS</b>					
	<b>8a Welded Alignment</b>	S-2770	4	Collars are welded to frame bracket		
	<b>8b Eccentric, QUIK-ALIGN (outer)</b>	S-20925	2	Alignment hole is off center		
	<b>8c Concentric, QUIK-ALIGN (inner)</b>	S-20924	2	Alignment hole is centered		
<b>9</b>	<b>U-BOLT KIT</b>	S-21140/4	4	Includes (1) stepped U-bolt and hardware. Axle spacer is not needed with stepped U-bolt.		
<b>10</b>	<b>SHOCK ABSORBER</b>	S-20126	2	All models except below		
		S-2160	2	-15-007	-15-011	-15-021
				-17-007	-17-011	-17-012
				TB19-007	TB19-020	
		S-21553	2	-15-017	-15-518	-17-518
				-17-520		
		S-24579	2	TB15-027		
		S-21699	2	TB15-518		

<sup>2</sup> Bushing tool S-21307 is required to correctly re-bush the suspension.

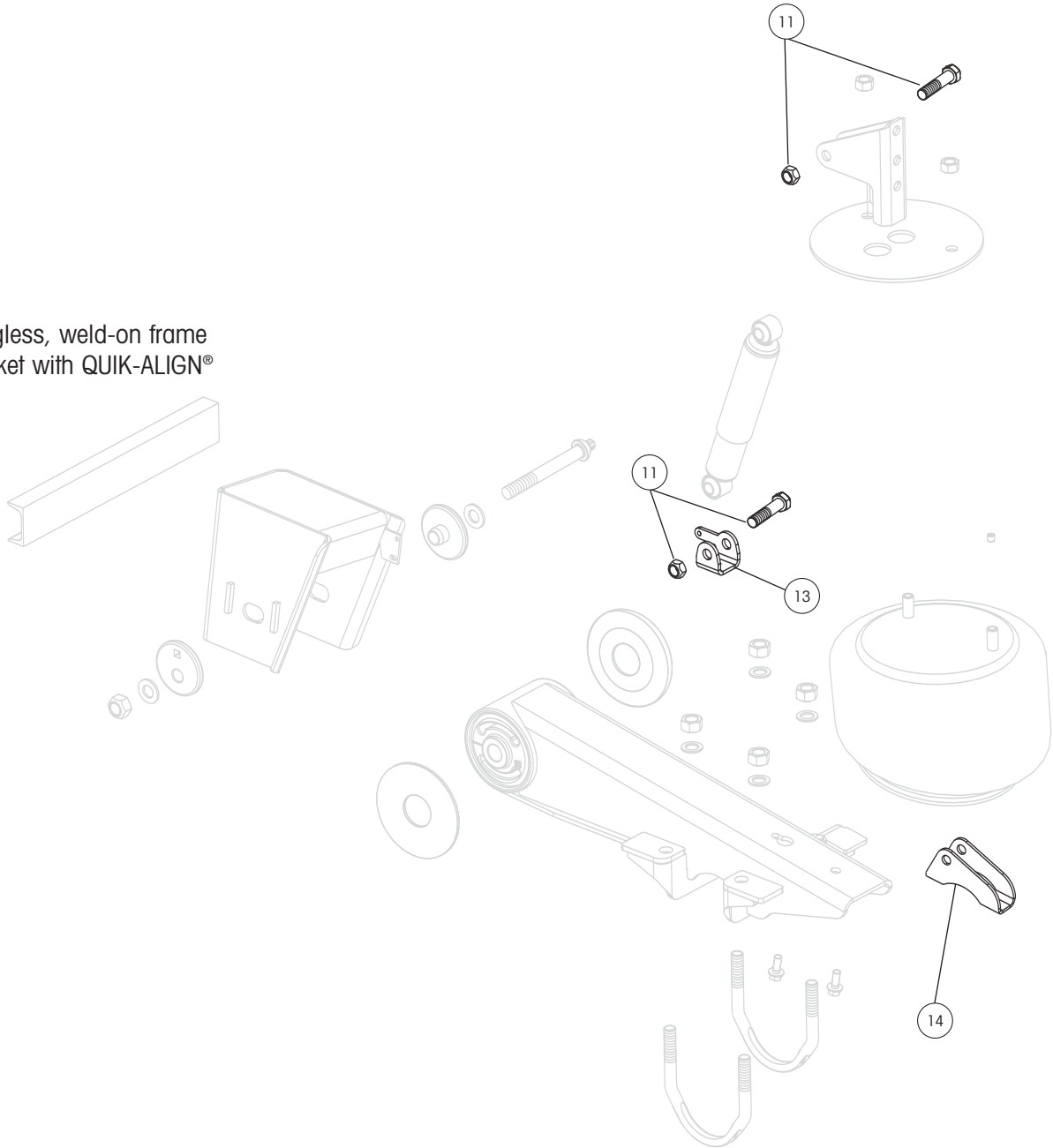
NOTE: Identification tag can be found on the front of the curbside frame bracket or the inside of the curbside beam.

# HT300T TOP MOUNT PARTS LIST



Picture shown may not resemble all models.

Wingless, weld-on frame  
bracket with QUIK-ALIGN®





# HT300T TOP MOUNT PARTS LIST

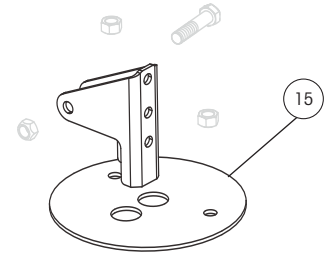
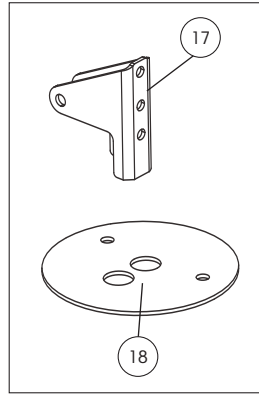
ITEM	DESCRIPTION	PART NO.	QTY. PER SUSP.	FITS MODELS		
				HT300 ?	OR N-HT300 ?	
11	SHOCK BOLT KIT	S-20031/2	2	All models except below		
		S-20218/2	2	-15-010	-17-010	
		S-2157/2	2	-15-007	-15-011	-15-021
				-17-007	-17-011	-17-012
		TB19-007	TB19-020			
12	REMOTE SHOCK MOUNT (Not Shown)					
12a	Upper Assembly	S-2592	2	-15-007	-17-007	-17-012
				TB15-027	TB19-007	TB19-020
12b	Lower Assembly <sup>3</sup>	S-20069	2	All models		
12c	Shock Bracket Assembly	S-9002	2	-15-011	-15-021	-17-011
				(Includes shock bracket assembly and shock clevis)		
13	LOWER SHOCK CLEVIS <sup>3</sup>	S-20069	2	All models		
14	LOWER SHOCK BRACKET	S-2723	2	-15-007	-15-011	-15-021
				-17-007	-17-011	-17-012
				TB19-007	TB19-020	

<sup>3</sup> Lower shock clevis is included with beam assembly (item #1).

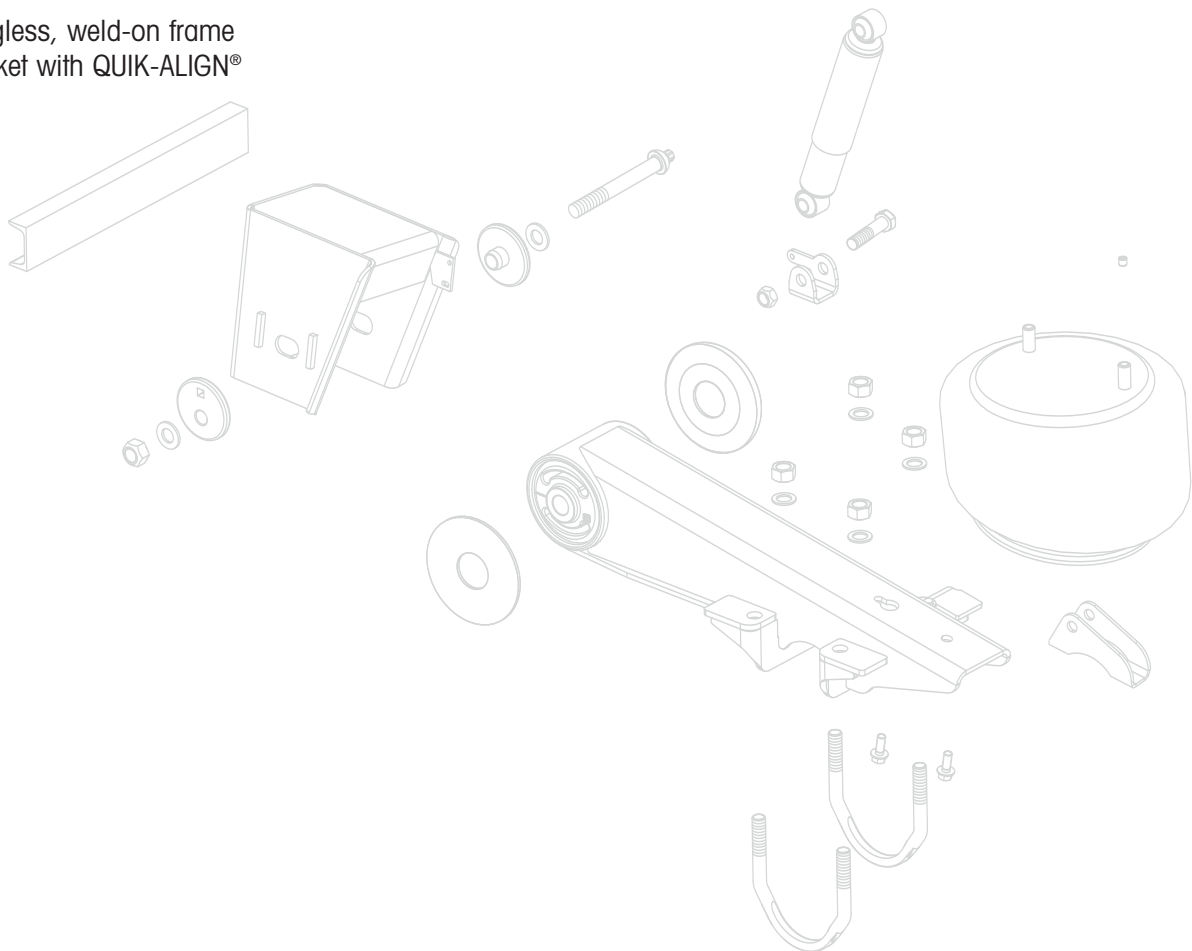
NOTE: Identification tag can be found on the front of the curbside frame bracket or the inside of the curbside beam.



Picture shown may not resemble all models.



Wingless, weld-on frame  
bracket with QUIK-ALIGN®







# HT300T TOP MOUNT PARTS LIST

ITEM	DESCRIPTION	PART NO.	QTY. PER SUSP.	FITS MODELS		
				HT300 ?	OR N-HT300 ?	
<b>15</b>	<b>AIR SPRING SHOCK MOUNT<sup>4</sup></b>					
	Roadside	C-20199-1	1	-15-001	-15-005	-15-016
	Curbside	C-20199-2	1	-15-017	-15-024	-15-501
				-15-518	-15-701	TB15-001
				TB15-016	TB15-024	TB15-518
	Roadside	C-20191-1	1	-17-001	-17-005	-17-017
	Curbside	C-20191-2		-17-024	-17-501	-17-518
			1	-17-701	TB17-001	TB17-024
	Roadside	C-20191-3	1	-17-002	-17-022	TA17-070
	Curbside	C-20191-4	1	TB17-022	TC17-060	TC17-061
	Roadside	C-21453-1	1	-21-003		
	Curbside	C-21453-2	1			
	Roadside	C-20188-3	1	-15-002	TA15-036	TA15-070
	Curbside	C-20188-4	1	TC15-060	TC15-061	
	Roadside	C-20195-1	1	-17-003	-17-019	-17-503
	Curbside	C-20195-2	1	-17-520	TB17-003	
	Roadside	C-20195-3		-17-004		
	Curbside	C-20195-4				
	Roadside	C-20708-1	1	-19-001		
	Curbside	C-20708-2	1			
	Roadside	C-20708-3	1	-19-004	TC19-062	TC19-063
	Curbside	C-20708-4	1			
	Roadside	C-24496-1	1	TC19-060	TC19-061	TC19-062
	Curbside	C-24496-2	1			
	Roadside	C-24595-1	1	TB16-026		
	Curbside	C-24595-2	1			
	Roadside	C-24497-1	1	TB19-020		
	Curbside	C-24497-2	1			
<b>16</b>	<b>AIR SPRING SPACER ASSEMBLY<sup>4</sup> (Not Shown)</b>					
	Roadside	C-20329-1	1	T-17-007		
	Curbside	C-20329-2	1			
	Roadside	C-20309-1	1	T-17-012		
	Curbside	C-20309-2	1			
	Roadside	C-21952-1	1	TB19-007		
	Curbside	C-21952-2	1			
	Roadside and Curbside	C-21149	1 each	-23-001		
	Roadside and Curbside	C-21149-1	1 each	-23-002		
<b>17</b>	<b>UPPER SHOCK BRACKET</b>					
	Roadside	C-21797-1	1	All models except below		
	Curbside	C-21797-2	1			
	Roadside	C-24591-1		TB16-026		
	Curbside	C-24591-2				
<b>18</b>	<b>AIR SPRING PLATE</b>					
		C-20192	2	-15-007		
		C-20193	2	TB15-027		

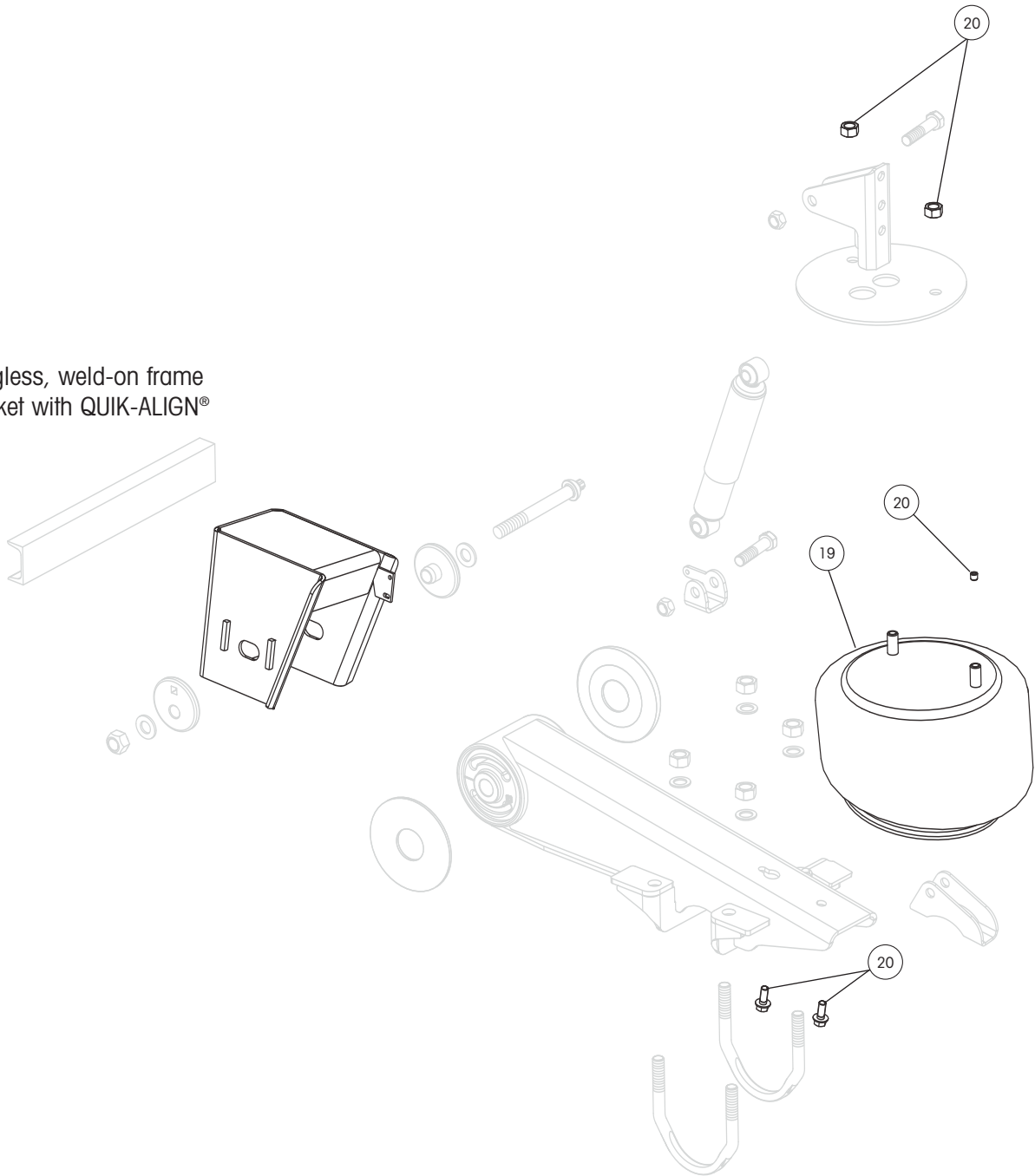
<sup>4</sup> Component may vary for slider suspensions based on slider box manufacturer. Contact Hendrickson for assistance.

NOTE: Identification tag can be found on the front of the curbside frame bracket or the inside of the curbside beam.



Picture shown may not resemble all models.

Wingless, weld-on frame  
bracket with QUIK-ALIGN®





## HT300T TOP MOUNT PARTS LIST

ITEM	DESCRIPTION	PART NO.	QTY. PER SUSP.	FITS MODELS
				HT300 ? OR N-HT300 ?
19	AIR SPRING	S-4771	2	All models
20	AIR SPRING MOUNTING KIT	S-4903/2	2	All models
21	UNIVERSAL HEIGHT CONTROL VALVE (Not Shown)	VS-227	1	Fits all models. Includes height control valve, exhaust line and spacer bracket.
22	UNIVERSAL LINKAGE ASSEMBLY (Not Shown)	S-14187	1 <sup>5</sup>	Includes linkage assembly and hardware
23	AUTOMATIC DUMP VALVE (Not Shown)	VS-23460	1 <sup>5</sup>	Includes dump valve and fittings
24	PRESSURE PROTECTION VALVE (Not Shown)	VS-1128	1 <sup>5</sup>	Includes valve only

<sup>5</sup> Quantities for air control components are per trailer.

NOTE: Identification tag can be found on the front of the curbside frame bracket or the inside of the curbside beam.

---

[www.hendrickson-intl.com](http://www.hendrickson-intl.com)



Trailer Suspension Systems  
250 Chrysler Drive, Unit #3  
Brampton, ON Canada L6S 6B6  
905.789.1030  
Fax 905.789.1033

Trailer Suspension Systems 866.RIDEAIR (743.3247)  
2070 Industrial Place SE 330.489.0045  
Canton, OH 44707-2641 USA Fax 800.696.4416

Hendrickson Mexicana  
Av. Industria Automotriz #200  
Parque Industrial Sliva Aeropuerto  
Apodaca, N.L., México C.P. 66600  
+52 (81) 8288.1300  
Fax +52 (81) 8288.1301